



2D Desktop Scanner

DP8210BGD Specification

***Company:** Shenzhen DYscan Technology Co., Ltd

***Web:** www.dyscan.com

***Tel:** 86-755-21032537

***Add:** Chuang ke hui 206, Jinhedian Business Center, Longhuan 3 Road ,
Longhua District, Shenzhen, 518109, China.

Product Description



DP8210BGD is a desktop 2D wireless 2.4g and bluetooth desktop barcode scanner with a charging stand.

It can easily read paper, screen, and other media, powerful reading performance.

Widely used in supermarkets, department stores, convenience stores, pharmacies, tobacco hotels and grocery stores, etc.

Features

- > Rotary design, a variety of code reading angles.
- > Enhanced wireless 2.4G transmission technology and bluetooth 4.2.
- > Support HID, SPP, BLE communication protocols.

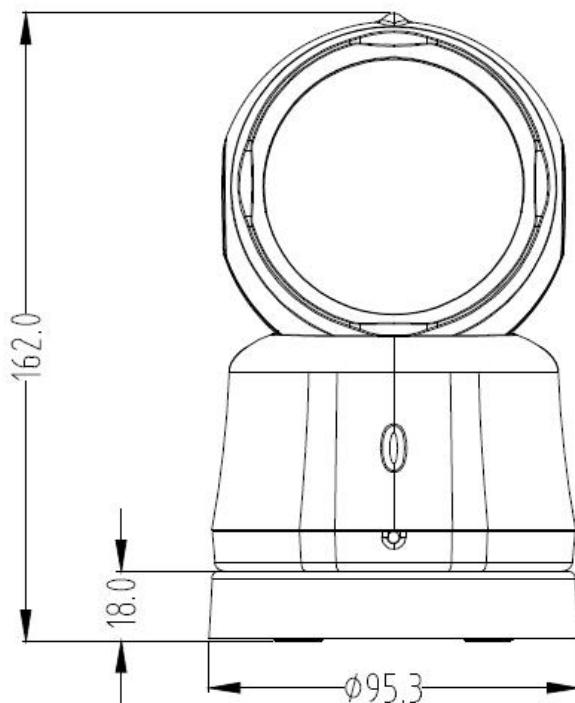
Application

- Supermarket
- Hotels
- Drugstores
- Stores
- Restaurants
- Tobacco Hotels



Mounting

unit : mm



Performance

Scan Type	CMOS
Light Source	5600K LEDs (Lighting)
CPU	32-bit
Resolution	640*480
Reading precision	≥4mil/0.1mm (PCS90%,Code 39)
Depth of field	10mm-250mm (different barcodes)
Scan speed	65cm/s
Scan Mode	Auto Scan, Continuous
Scan angle	<i>Test Conditions : CODE39,10mil/0.25mm,PCS90%</i>
	Pitch:±65°
	Roll: ±360°
	Skew: ±55°
Print Contrast Signal	≥15%
Wireless communication mode	Synchronization , storage
Wireless transmission distance	2.4GHz,60m,Bluetooth,30m (Open distance)
Storage	350Kb (over 20,000 barcodes)
Battery capacity	2000mAh
Battery charging time	4.5h (5V/1A)
Continuous working time	More than 8h
Symbologies	1D :UPC-A ,UPC-E ,EAN-8 ,EAN-13 ,ISBN, ISSN, Code 128 , GS1-128 , ISBT, Code 39 , Code 32, Code 93 , Code 11,Codabar(NW-7) , Interleaved 2 of 5 , Matrix

2 of 5 , Industrial 2 of 5(Straight 2 of 5) , Standard 2 of 5 (IATA 2 of 5) , NEC 2of 5 , MSI , Telepen, Trioptic , BC412 , Coupon.

2D: QR Code, Micro QR Code, Data Matrix , PDF417, Micro PDF 417 , MaxiCode, Aztec , HanXin Code, Pharma Code(One-Track), Codablock A, Codablock F, Dot Code, Grid Matrix, etc.

GS1 Databar(Omnidirectional, Limited, Expanded) , GS1 Composite Code, TLC 39 Code. Chinese ID Card OCR , etc.

HongKong 2 of 5(China Post), Korea Post, Australian Post, British Post, USPS Intelligent Mail, Japanese Post, Planet Code, Postnet Code, UPU 4-State, KIX Code, etc.

Physical Parameter

Weight	278.8g(Scanner) 61.6g(Charging stand)
Dimension	L93.8mm * W88.1mm * H145.5mm (Scanner) L95.3mm * W95.3mm * H20.2mm (Charging stand)
Communication Mode	Wired, Wireless 2.4g, Bluetooth 4.2(HID,BLE,SPP)
Cable length	1m, Type C
Power Supply	DC 5V @300mA(Work)

Environmental

Operating	0°C to 50°C
Storage	-20°C to 60°C

Humidity	5% to 95% (non-condensing)
Drop Height	1.5m
Temp. Test	30 minutes for high Temp., 30 minutes for low Temp.,
	<i>High Temp.</i> 60°C
	<i>Low Temp.</i> -20°C
Transport vibration	10H@125RPM

Accessories List

Cable	Used to connect the scanner and the host communication
-------	--